



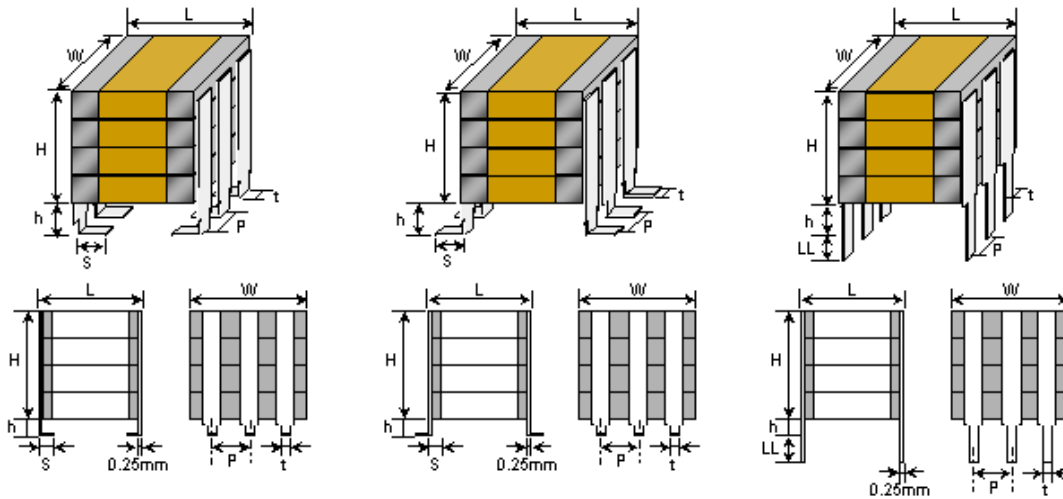
**Holy Stone**

# Cross Reference Guide: TDK CKG Series to HolyStone SMC Series Stacked Caps

www.holystonecaps.com

TDK CKG Cross Reference Guide**			
	TDK P/N	HEC P/N	Differences
1	CKG57KX7R2J224M	SMC17JX224M631TN	
2	CKG57KX7R2E474M	SMC17JX474M251TN	
3	CKG57KX7R2E105M	SMC17JX105M251TN	
4	CKG57KX7R2A105M	SMC17JX105M101TN	
5	CKG57KX7R2A225M	SMC17JX225M101TN	
6	CKG57KX7R2A335M	SMC17JX335M101TN	
7	<b>CKG57KX7R2A475M</b>	<b>SMC27JX475M101TN</b>	HEC version is 2 stack vs. single stack for
8	CKG57KX7R1H475M	SMC17JX475M050TN	
9	<b>CKG57KX7R1H106M</b>	<b>SMC27JX106M050TN</b>	HEC version is 2 stack vs. single stack for
10	<b>CKG57KX7R1E106M</b>	<b>SMC27JX106M050TN</b>	HEC version is 2 stack vs. single stack for HEC supplying 50V rated part vs. TDK 25V.
11	<b>CKG57KX7R1E226M</b>	<b>SMC47JX226M050TN</b>	HEC version is 4 stack vs. single stack for HEC supplying 50V rated part vs. TDK 25V.
12	<b>CKG57KX7R1C156M</b>	<b>SMC37JX226M050TN</b>	HEC version is 3 stack vs. single stack for HEC supplying 50V rated part vs. TDK 16V.
13	<b>CKG57KX7R1C476M</b>	N/A	
14	<b>CKG57NX7R1H226M</b>	<b>SMC47JX226M050TN</b>	HEC version is 4 stack vs. 2 stack for TDK.
15	<b>CKG57NX7R1E476M</b>	N/A	
16	<b>CKG57NX7R1C107M</b>	N/A	
17	CKG57NX7R2J474M	SMC27JX474M631TN	
18	CKG57NX7R2E105M	SMC27JX105M251TN	
19	CKG57NX7R2E225M	SMC27JX225M251TN	
20	CKG57NX7R2A225M	SMC27JX225M101TN	
21	CKG57NX7R2A475M	SMC27JX475M101TN	
22	<b>CKG57NX7R2A106M</b>	N/A	
23	CKG57NX7R1H106M	SMC27JX106M050TN	
24	<b>CKG57NX7R1E226M</b>	<b>SMC47JX226M050TN</b>	HEC version is 4 stack vs. 2 stack for TDK. HEC supplying 50V rated part vs. TDK 25V.
25	<b>CKG57NX7R1C336M</b>	N/A	
26	CKG32KX7R2J473M	SMC15JX473M631TN	
27	CKG32KX7R2E104M	SMC15JX104M251TN	
28	CKG32KX7R2E224M	SMC15JX224M251TN	
29	CKG32KX7R2A474M	SMC15JX474M101TN	
30	CKG32KX7R2A105M	SMC15JX105M101TN	
31	CKG32KX7R1H105M	SMC15JX105M050TN	
32	CKG32KX7R1E475M	SMC15JX475M025TN	
33	CKG32KX7R1E106M	SMC15JX106M025TN	
34	CKG45KX7R2J104M	SMC16JX104M631TN	
35	CKG45KX7R2E224M	SMC16JX224M251TN	
36	CKG45KX7R2E474M	SMC16JX474M251TN	
37	CKG45KX7R2A105M	SMC16JX105M101TN	
38	<b>CKG45KX7R2A225M</b>	<b>SMC26JX225M101TN</b>	HEC version is 2 stack vs. single stack for
39	CKG45KX7R1H155M	SMC16JX155M050TN	
40	CKG45KX7R1H335M	SMC16JX335M050TN	
41	<b>CKG45KX7R1H475M</b>	<b>SMC26JX475M050TN</b>	HEC version is 2 stack vs. single stack for
42	<b>CKG45KX7R1E475M</b>	<b>SMC26JX475M050TN</b>	HEC version is 2 stack vs. single stack for HEC supplying 50V rated part vs. TDK 25V.
43	<b>CKG45KX7R1C106M</b>	<b>SMC36JX106M050TN</b>	HEC version is 3 stack vs. single stack for HEC supplying 50V rated part vs. TDK 16V.
44	<b>CKG45KX7R1C226M</b>	N/A	
45	<b>CKG45NX5R1H106M</b>	<b>SMC36JX106M050TN</b>	HEC version is 3 stack vs. single stack for HEC is supplying X7R vs. TDK X5R
46	<b>CKG45NX5R1C476M</b>	N/A	
47	CKG45NX7R2J224M	SMC26JX224M631TN	
48	CKG45NX7R2E474M	SMC26JX474M251TN	
49	CKG45NX7R2E105M	SMC26JX105M251TN	
50	CKG45NX7R2A225M	SMC26JX225M101TN	
51	<b>CKG45NX7R2A475M</b>	N/A	
52	CKG45NX7R1H335M	SMC26JX335M050TN	
53	CKG45NX7R1H685M	SMC26JX685M050TN	
54	<b>CKG45NX7R1E106M</b>	<b>SMC36JX106M050TN</b>	HEC version is 3 stack vs. single stack for
55	<b>CKG45NX7R1C226M</b>	N/A	

\*\* Style and composition of lead frame is different from TDK's products, however function is same or nearly same.



## ◆ How To Order

SMC	49	J	X	224	K	501	T	N	--
-----	----	---	---	-----	---	-----	---	---	----

Product Code	Stack and Size	Lead Configuration	Tolerance	Capacitance (pF)	Tolerance	Rated Voltage	Packaging	Marking	Special Requirement
SMC:		Ex.:	Ex.:	Ex.:	Ex.:	Ex.:	B: Bulk T:Tape&Reel W: Waffle pack	Ex.:	Blank:
Commercial Size Switchmode Stack Capacitor	The first digit: # of chips in stack  Second Digit: Chip Size 6: 1812 7: 2220 8: 1825 9: 2225	J :J Lead for h=0.070" L :L Lead for h=0.070" N: Straight Lead P :J Lead for h=0.045" S:L Lead for h=0.045"	N: NP0 X: X7R	103:10x10 <sup>3</sup> 224:22x10 <sup>4</sup> 475:47x10 <sup>5</sup>	F: +/-1.0% G: +/-2.0% J: +/-5.0% K: +/- 10% M: +/- 20%	050: 50Vdc 101: 100Vdc 201: 200Vdc 501: 500Vdc 102:1000Vdc		N: No Marking S: Special Marking M: Marked (cap & Tolerance)	Standard electrical test H: Hi-Rel Testing

EIA Chip Size	Size Code	NP0 Maximum Capacitance					X7R Maximum Capacitance				
		50V	100V	200V/250V	500V	1000V	50V	100V	200V/250V	500V	1000V
1812	16 (1xCap)	293	183	123	822	562	335	155	824	154	683
	26 (2xCap)	583	363	243	163	113	665	305	165	304	134
2220	17 (1xCap)	623	543	453	393	123	475	335	155	274	823
	27 (2xCap)	124	104	903	783	243	945	665	305	544	164
1825	18 (1xCap)	653	563	473	393	123	475	335	155	274	823
	28 (2xCap)	134	114	943	783	243	945	665	305	544	164
	38 (3xCap)	194	164	144	114	363	146	995	455	814	244
	48 (4xCap)	264	224	184	154	483	186	136	605	105	324
	58 (5xCap)	324	284	234	194	603	236	166	755	135	414
2225	19 (1xCap)	813	653	563	473	153	685	475	225	394	104
	29 (2xCap)	164	134	114	943	303	136	945	445	784	204
	39 (3xCap)	244	194	164	144	453	206	146	665	115	304
	49 (4xCap)	324	264	224	184	603	276	186	885	155	404
	59 (5xCap)	404	324	284	234	753	346	236	116	195	504